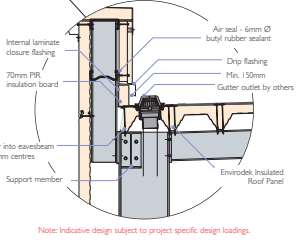
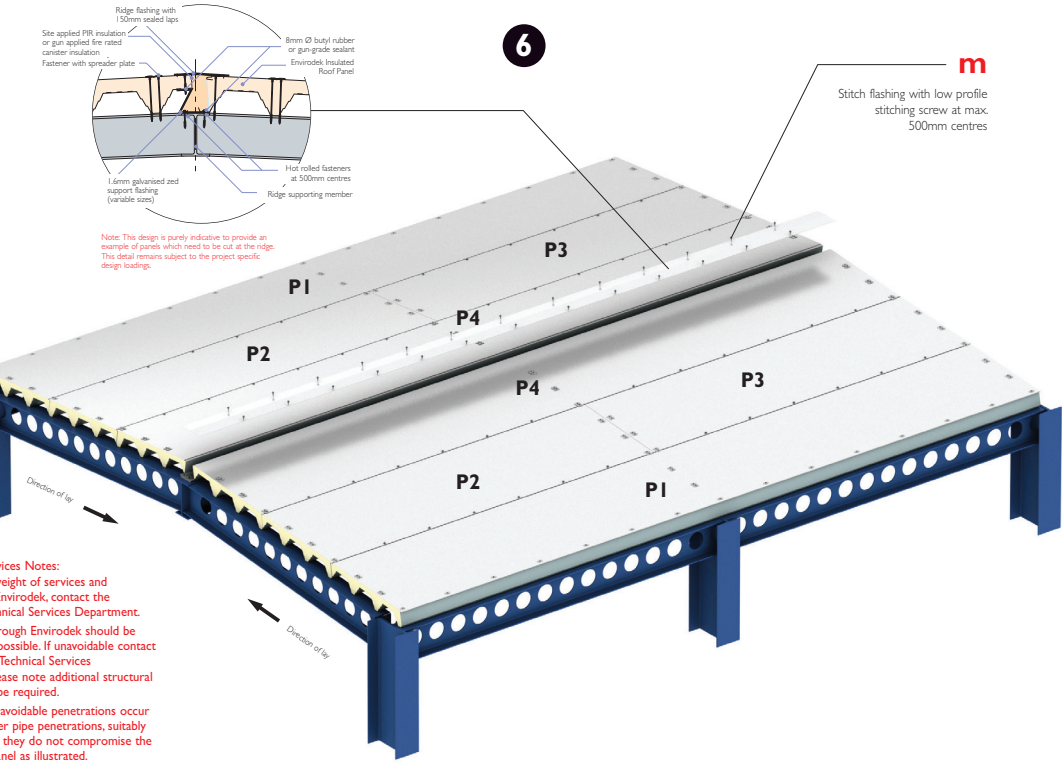
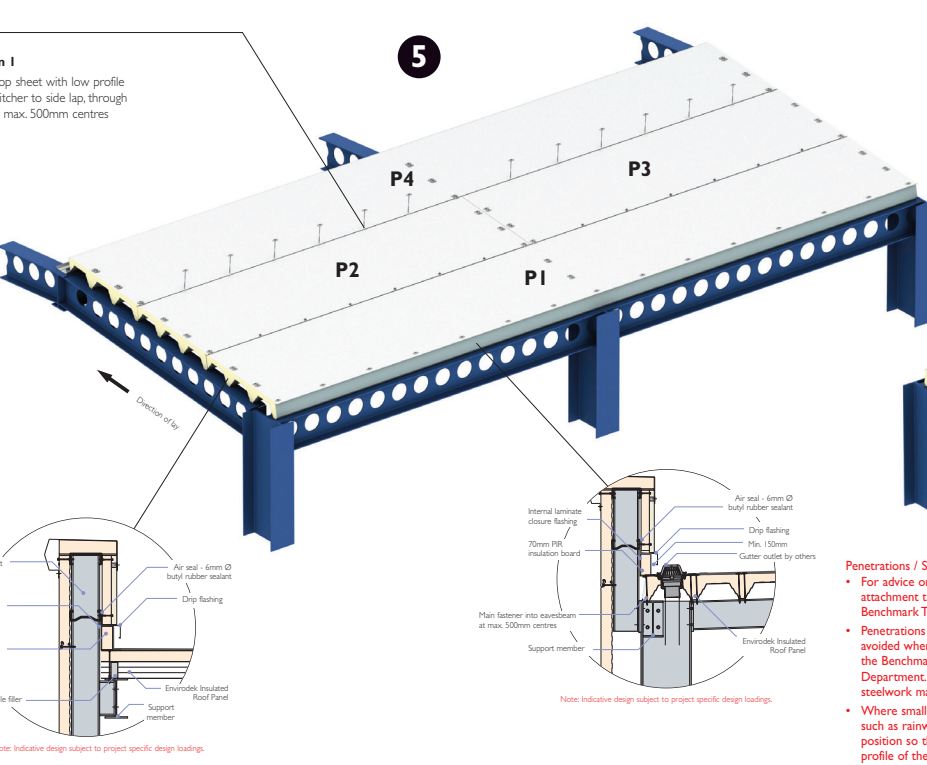
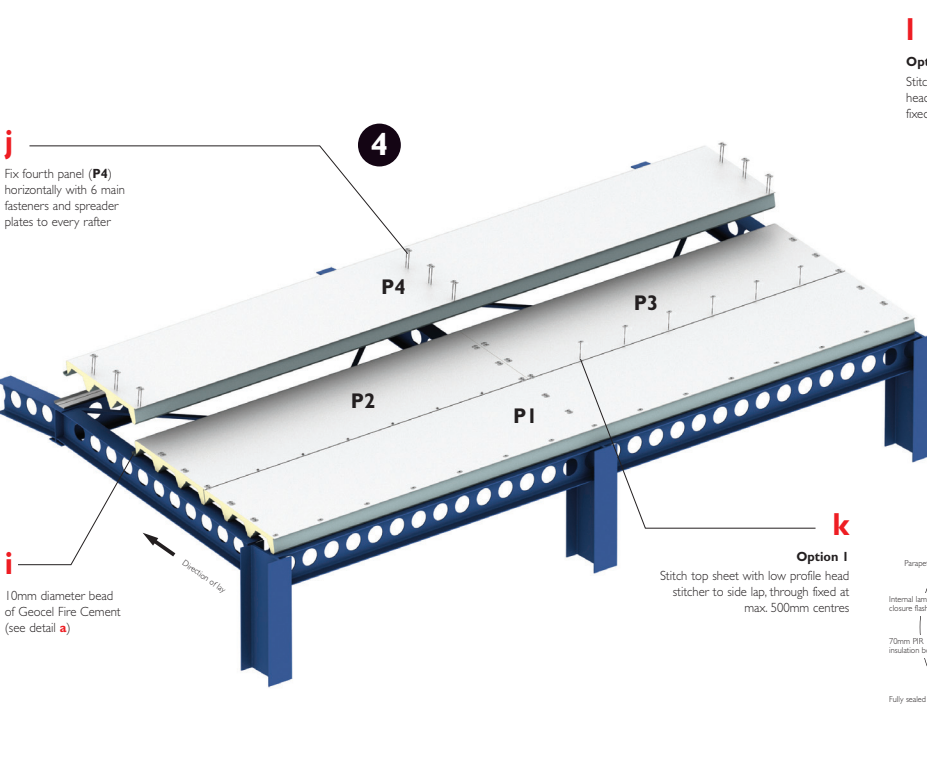
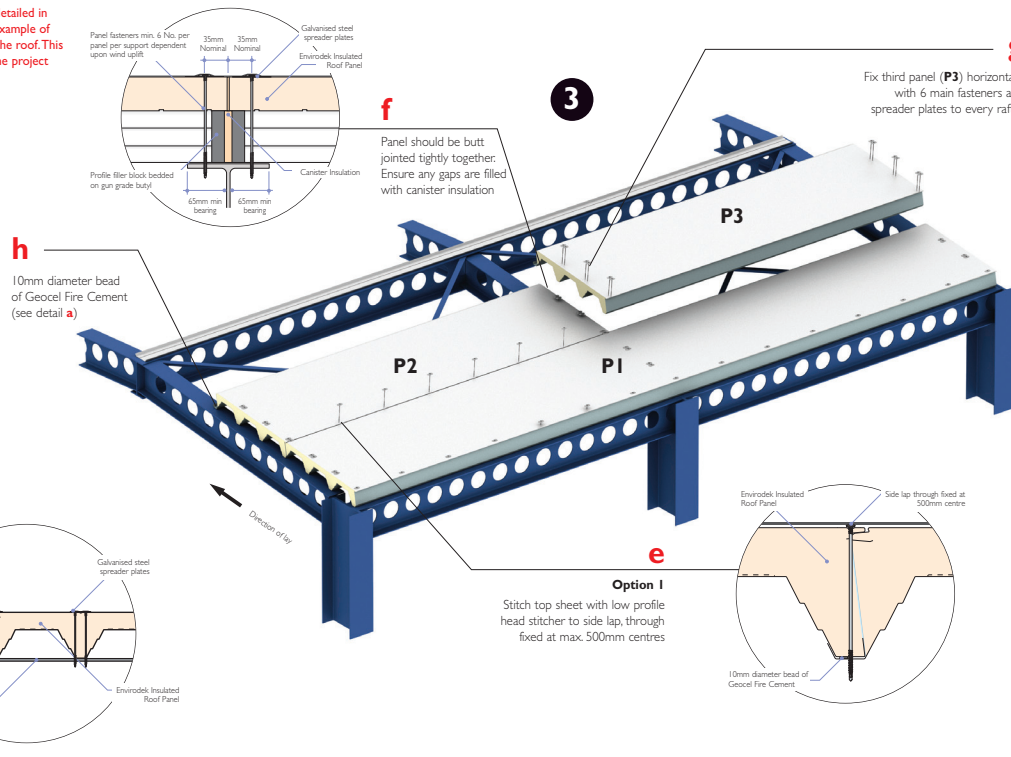
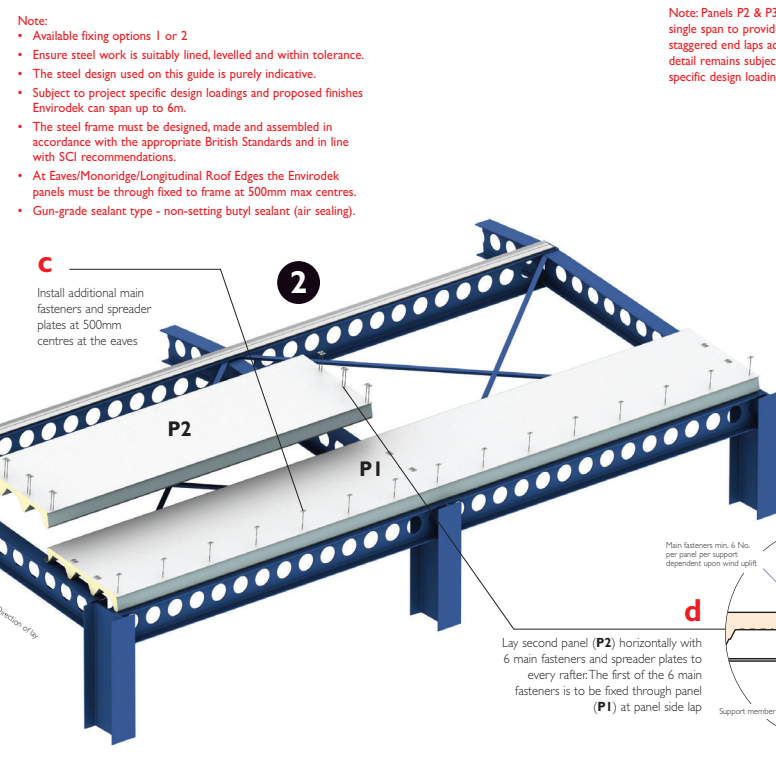
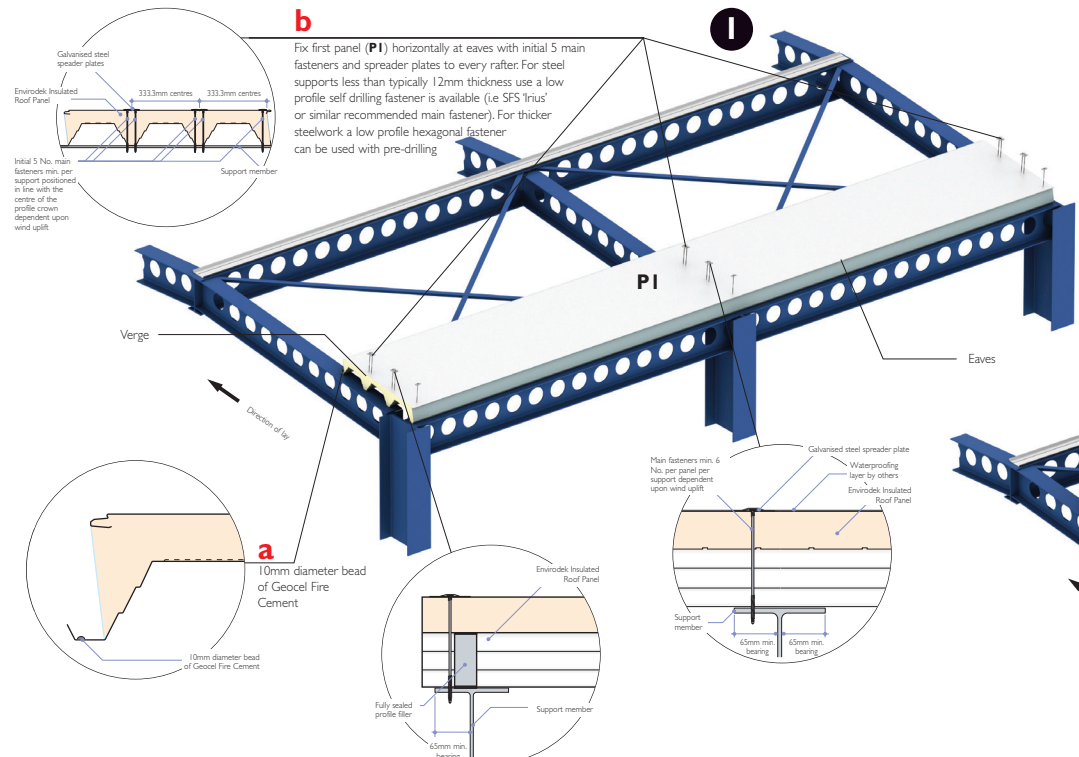


BENCHMARK ENVIRODEK Structural Green Roof System Installation Guide Fixing Option 1



- Note:**
- Available fixing options 1 or 2
 - Ensure steel work is suitably levelled, levelled and within tolerance.
 - The steel design used on this guide is purely indicative.
 - Subject to project specific design loadings and proposed finishes Envirodek can span up to 6m.
 - The steel frame must be designed, made and assembled in accordance with the appropriate British Standards and in line with SCI recommendations.
 - At Eaves/Monoridge/Longitudinal Roof Edges the Envirodek panels must be through fixed to frame at 500mm max centres.
 - Gun-grade sealant type - non-setting butyl sealant (air sealing).

Note: Panels P2 & P3 are detailed in single span to provide an example of staggered end laps across the roof. This detail remains subject to the project specific design loadings.



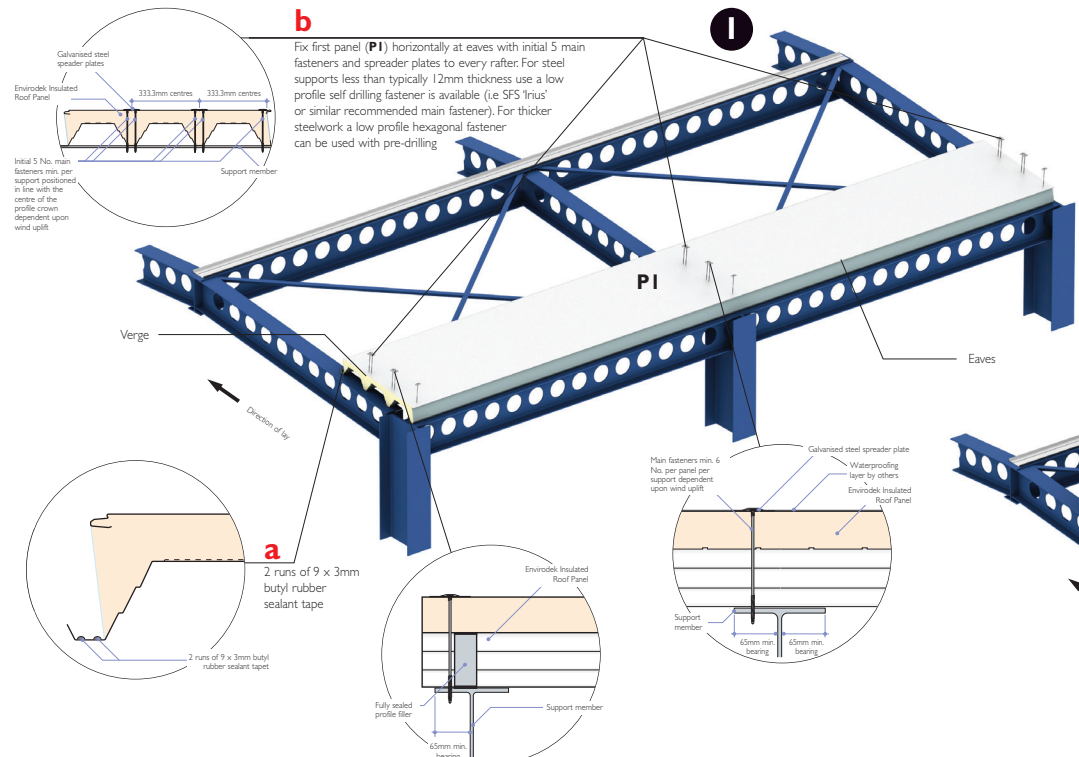
- Penetrations / Services Notes:**
- For advice on weight of services and attachment to Envirodek, contact the Benchmark Technical Services Department.
 - Penetrations through Envirodek should be avoided where possible. If unavoidable contact the Benchmark Technical Services Department. Please note additional structural steelwork may be required.
 - Where small unavoidable penetrations occur such as rainwater pipe penetrations, suitably position so that they do not compromise the profile of the panel as illustrated.

This installation guide should be read in conjunction with the 'project specific' design drawings and method statements.

Although this 'installation guide' is deemed to be correct at the time of publication, Kingspan Benchmark reserve the right to amend the information at any time in the future. Installation Guides are available for the full range of Roof, Wall & Façade Systems.

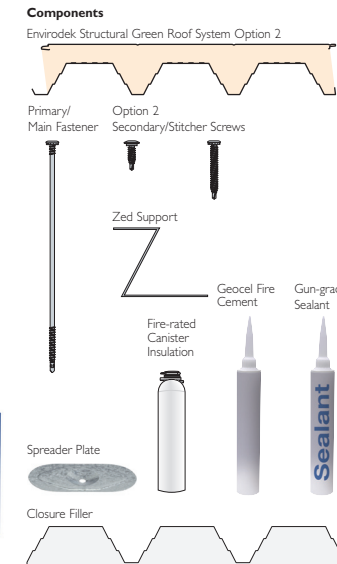
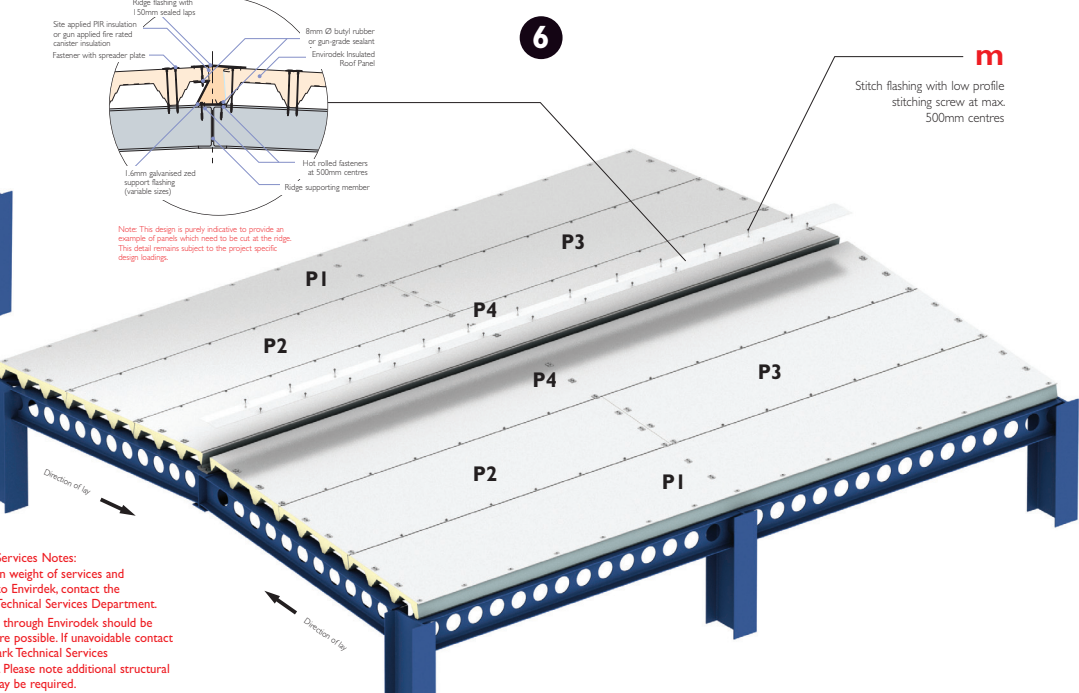
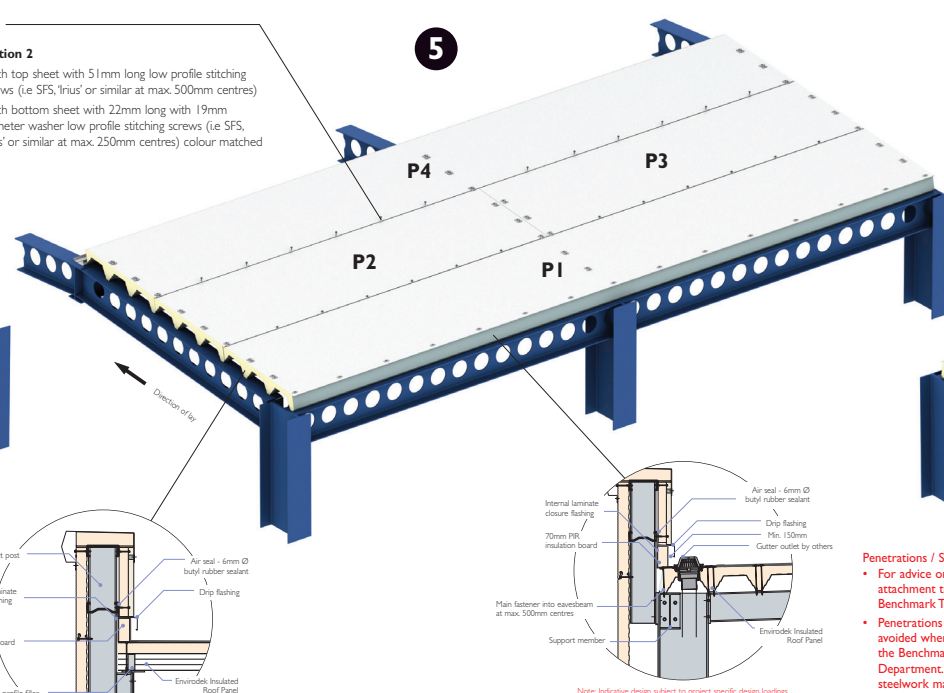
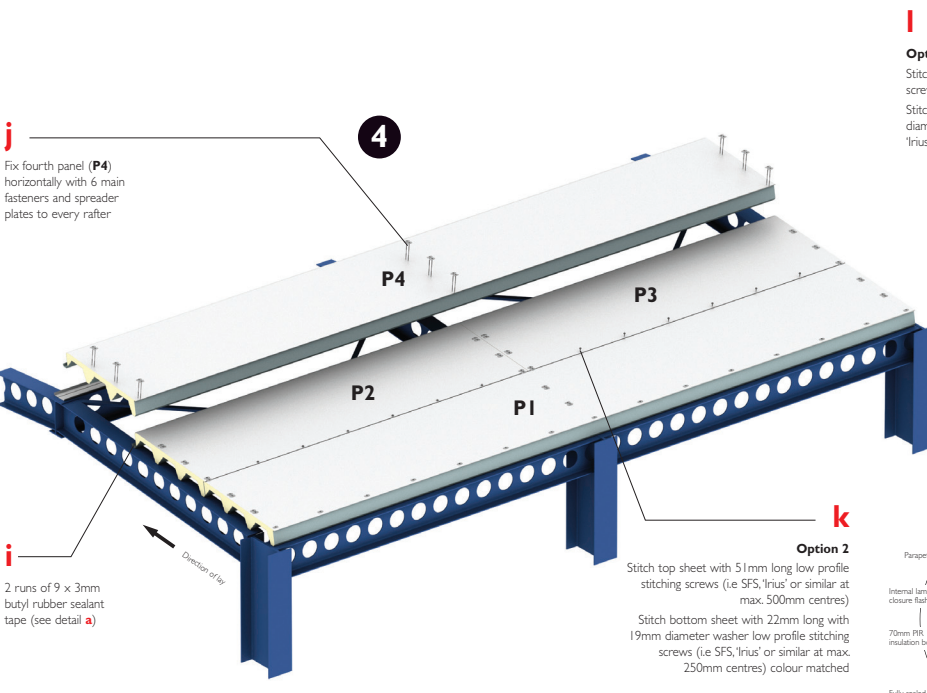
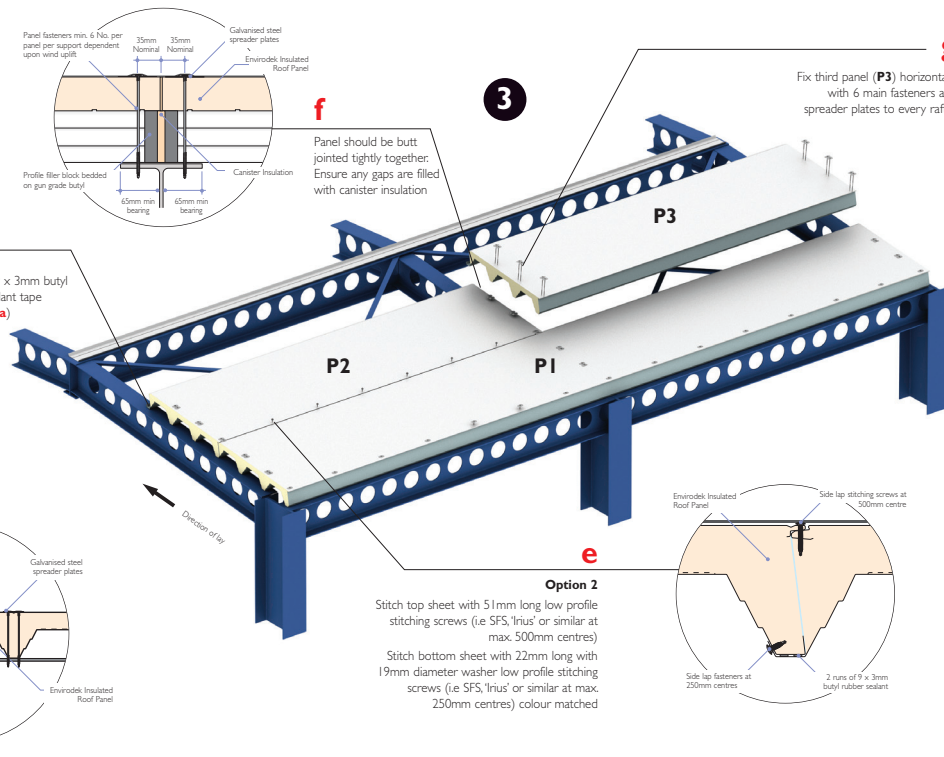
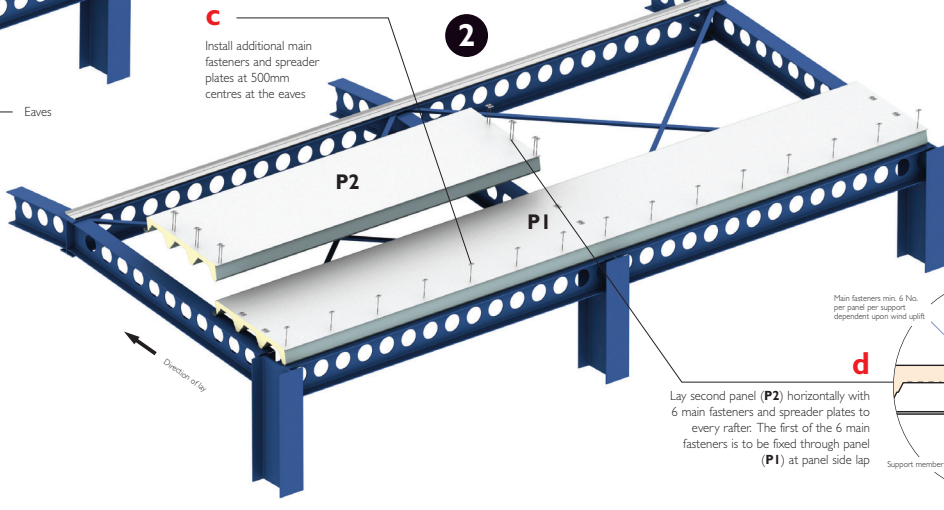
Tel: 01352 716100
Fax: 01352 710161
Email: info@kingspanbenchmark.com

BENCHMARK
ENVIRODEK
 Structural Green Roof System
 Installation Guide
 Fixing Option 2



- Note:**
- Available fixing options 1 or 2
 - Ensure steel work is suitably lined, levelled and within tolerance.
 - The steel design used on this guide is purely indicative.
 - Subject to project specific design loadings and proposed finishes Envirodek can span up to 6m.
 - The steel frame must be designed, made and assembled in accordance with the appropriate British Standards and in line with SCI recommendations.
 - At Eaves/Monoridge/Longitudinal Roof Edges the Envirodek panels must be through fixed to frame at 500mm max centres.
 - Gun-grade sealant type - non-setting butyl sealant (air sealing).

Note: Panels P2 & P3 are detailed in single span to provide an example of staggered end laps across the roof. This detail remains subject to the project specific design loadings.



This installation guide should be read in conjunction with the 'project specific' design drawings and method statements.

Although this 'installation guide' is deemed to be correct at the time of publication, Kingspan Benchmark reserve the right to amend the information at any time in the future. Installation Guides are available for the full range of Roof, Wall & Façade Systems.

Tel: 01352 716100
 Fax: 01352 710161
 Email: info@kingspanbenchmark.com

- Penetrations / Services Notes:**
- For advice on weights of services and attachment to Envirodek, contact the Benchmark Technical Services Department.
 - Penetrations through Envirodek should be avoided where possible. If unavoidable contact the Benchmark Technical Services Department. Please note additional structural steelwork may be required.
 - Where small unavoidable penetrations occur such as rainwater pipe penetrations, suitably position so that they do not compromise the profile of the panel as illustrated.



Note: Indicative design subject to project specific design loadings.